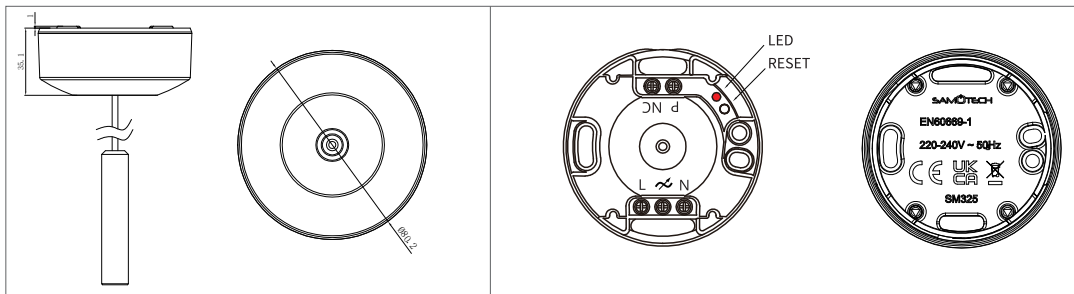


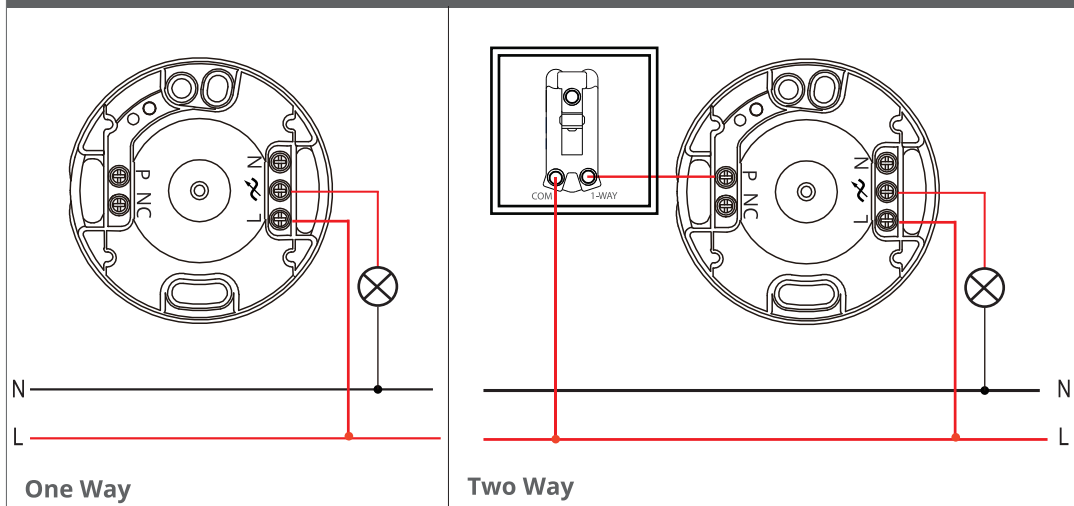
SM325-WF WIFI PULL CORD SMART DIMMER SWITCH



⚠ WARNING

- This product must be installed according to these instructions and in accordance with the current IEE Wiring Regulations (BS 7671). If in doubt, or where required by the law, consult a competent person who is registered with an electrical self-certification scheme. Further information is available online or from your Local Authority.
- To prevent electrocution, do not work on any appliance live. Turn off the mains supply before commencing work.
- To prevent fire hazard do not exceed the load rating of this device as stated on the rear of the product.
- Use with dimmable LED, CFL bulbs, Incandescent or halogen fixtures only.
- When multiple bulbs are used with one dimmer DO NOT mix bulb types. All bulbs shall be either LED, CFL or Incandescent. Using the same model of each bulb will enhance dimmer performance.
- Waste electrical products should not be disposed of with the household waste. Please recycle where facilities exist. Check with your Local Authority or retailer for recycling advice.

WIRING DIAGRAM



One Way

Two Way

Operating Voltage	220-240 V
Frequency	50 Hz
Maximum Load	100 W
Minimum Load	5 W
Dimming Mode	Trailing Edge
Control Method	One way / Two way

Dimmable LED lamps	5-100W
Incandescent lighting	5-100W
√ Suitable for 90% of all LEDs	√ Soft start system
√ Noiseless dimming	√ Optimal dimmable range
√ Supports standard & retractive light switches	

SETTINGS


1. ON/OFF and Dimming Control

Option 1: Gently pull the dimmer rope vertically until you hear a "click" sound, then release the rope to turn the lights on or off. To adjust the brightness, pull and hold the dimmer rope.

Option 2: In a 2-way wiring if the dimmer is connected to a retractive light switch, a single press will toggle the lights status, and a long press will dim lights up or down. Only On/Off control can be achieved when the dimmer is connected to a standard light switch.

2. Minimum Brightness Adjustment Setting

Minimum brightness is adjusted through the Tuya APP.

Step 1: Open the Tuya APP (Refer to section 4 for guidance on how to connect Tuya app). Tap the connected dimmer icon and turn on the light. Tap the settings icon .

Step 2: Tap the padlock icon  to unlock the current setting. Adjust the brightness setting to your desired level.

Step 3: Tap the padlock icon  again to save the current setting.

3. 2-Way Light switch Mode (Standard/Retractive)

Step 1: The default mode is pre-set for a standard On/Off light switch. To switch to retractive switch mode, press the reset button twice, followed by a long press on the third press. Alternatively, quickly pull the dimmer rope twice and hold it on the 3rd pull. The connected load will increase to full brightness and flash 3 times to indicate that the dimmer is now in retractive light switch mode.

Step 2: To switch back to the standard switch mode, repeat the procedure above. The connected load will increase to full brightness and flash once to indicate the dimmer has returned to the rocker switch mode.

4. Adding to WIFI Network

Step 1: Download the Tuya Smart app from the App Store and log in or sign up. Follow the in-app prompts to complete the login process.

Step 2: Ensure that Bluetooth and WIFI are enabled on your phone. Then tap the "+" to add the device.

Step 3: The indicator will automatically flash in blue to indicate that it has entered PAIRING MODE. If it doesn't, long-press the reset button until the blue indicator flashes again. Alternatively, quickly pull the dimmer rope 4 times and hold it on the 5th pull for 5 seconds. The connected load will increase to full brightness and flash twice to indicate it has entered PAIRING MODE.

5. Voice Control (Optional)

5.1. Google Assistant

Step 1: Open the Google Home app, tap Settings > Google Assistant.

Step 2: Tap 'Manage all Assistant settings' button.

Step 3: Open 'Home control'.

Step 4: Link your existing service, e.g. Smart Life, Tuya Smart or Lidl Home.

Step 5: Follow on-screen instructions to finalize the linking process.

5.2. Amazon Alexa

Step 1: Open the Amazon Alexa app.

Step 2: Tap "More" > "Skills & Games."

Step 3: Search for the existing WIFI app e.g. "Tuya Smart" and tap "Enable."

Step 4: Enter your account details and tap "link now."

6. Factory Reset

Short press the reset button 9 times and long-press it on the 10th press for 3 seconds to reset the network and minimum brightness setting.

GUARANTEE

This product is guaranteed for a period of one year from the date of purchase. The guarantee is invalid in the case of tampering, improper use or installation not in accordance with the current edition of the I.E.E. Wiring Regulations (BS 7671). This product must not have been overloaded beyond its rating.