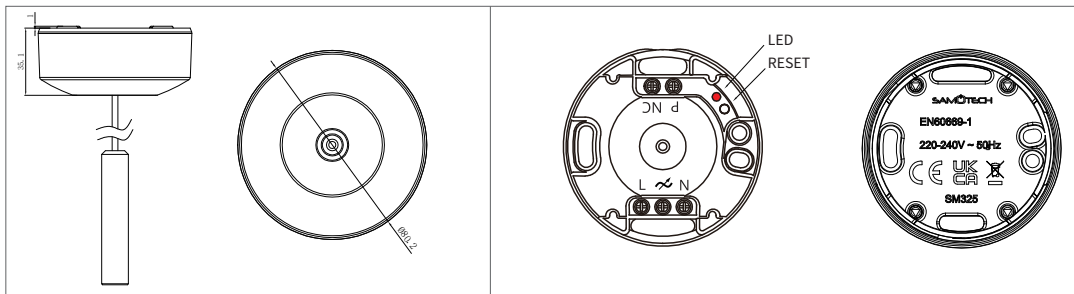


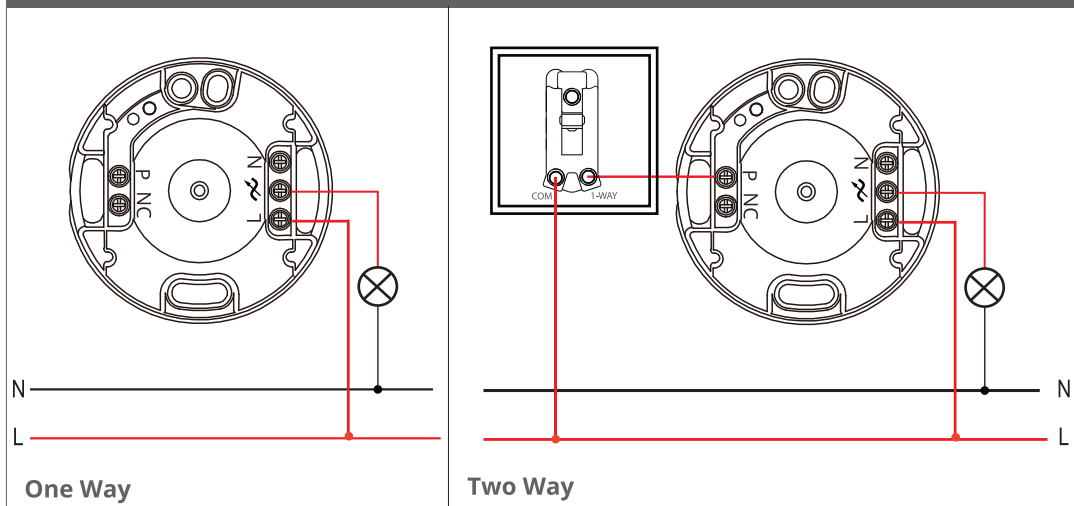
## SM325-ZG ZIGBEE PULL CORD SMART DIMMER SWITCH



### ⚠ WARNING

- This product must be installed according to these instructions and in accordance with the current IEE Wiring Regulations (BS 7671). If in doubt, or where required by the law, consult a competent person who is registered with an electrical self-certification scheme. Further information is available online or from your Local Authority.
- To prevent electrocution, do not work on any appliance live. Turn off the mains supply before commencing work.
- To prevent fire hazard do not exceed the load rating of this device as stated on the rear of the product.
- Use with dimmable LED, CFL bulbs, Incandescent or halogen fixtures only.
- When multiple bulbs are used with one dimmer DO NOT mix bulb types. All bulbs shall be either LED, CFL or Incandescent. Using the same model of each bulb will enhance dimmer performance.
- Waste electrical products should not be disposed of with the household waste. Please recycle where facilities exist. Check with your Local Authority or retailer for recycling advice.

### WIRING DIAGRAM



**One Way**

**Two Way**

Operating Voltage	220-240 V
Frequency	50 Hz
Maximum Load	100 W
Minimum Load	5 W
Dimming Mode	Trailing Edge
Control Method	One way / Two way

Dimmable LED lamps	5-100W
Incandescent lighting	5-100W
√ Suitable for 90% of all LEDs	√ Soft start system
√ Noiseless dimming	√ Optimal dimmable range
√ Supports standard & retractive light switches	

# SETTINGS

## 1. ON/OFF and Dimming Control

Option 1: Gently pull the dimmer rope until you hear a "click" sound, then release to turn the lights on or off. To adjust the brightness, pull and hold the dimmer rope.

Option 2: In a 2-way wiring if the dimmer is connected to a retractive light switch, a single press will toggle the lights status, and a long press will dim lights up or down. Only On/Off control can be achieved when the dimmer is connected to a standard light switch.

## 2. Minimum Brightness Adjustment Setting

Step 1: Turn on the light. Press the reset button 6 times, followed by a long press on the 7th press.

Alternatively, quickly pull the rope 6 times and hold it on the 7th pull. This will cause the connected load to increase to full brightness and flash twice, indicating that the dimmer is in minimum adjustment mode.

Step 2: Adjust the minimum brightness to your desired level using the dimmer rope or retractive switch.

Then, pull the rope or press the retractive switch once to save the setting.

## 3. 2-Way Light switch Mode (Standard/Retractive)

Step 1: The default mode is pre-set for a standard On/Off light switch. To switch to retractive switch mode, press the reset button twice, followed by a long press on the third press. Alternatively, quickly pull the dimmer rope twice and hold it on the 3rd pull. The connected load will increase to full brightness and flash 3 times to indicate that the dimmer is now in retractive light switch mode.

Step 2: To switch back to the standard switch mode, repeat the procedure above. The connected load will increase to full brightness and flash once to indicate the dimmer has returned to the rocker switch mode.

## 4. Adding to Zigbee Network

Step 1: Important! If the dimmer has been previously added to a Zigbee network, remove it from the old network to ensure successful pairing. Refer to sections 'Reset the Network' and 'Factory Reset' for guidance.

Step 2: Access your Zigbee Controller interface and start adding a new device.

Step 3: Turn on the light by pulling the rope and short press the dimmer's reset button twice.

The blue indicator will blink rapidly, and the connected load will flash twice, indicating that the dimmer is in PAIRING MODE with a timeout of 15 minutes.

## 5. TouchLink

Step 1: Turn on the light and press the reset button four times. The indicator will blink in green, indicating that the dimmer is in TouchLink commissioning mode with a timeout of 3 minutes.

Step 2: Bring the remote within 10cm of the smart dimmer and set the remote into TouchLink commissioning mode, following the remote's manual instructions.

Step 3: The green indicator will remain solid for 10 seconds, and the connected light will flash 10 times when TouchLink succeeds. If it fails, the indicator will flash three times.

## 6. Find and Bind

Ensure that both the device and the remote are added to the same Zigbee network.

Step 1: Turn on the light and press the reset button 5 times. The indicator will blink in yellow, indicating that the dimmer is in Find and Bind commissioning mode with a timeout of 3 minutes.

Step 2: Set the remote into Find and Bind mode following the remote's manual instructions. Ensure that both the device and the remote are added to the same Zigbee network.

## 7. Reset the Network

Turn on the light and long-press the reset button for 5 seconds. The red indicator will remain solid for 10 seconds, and the connected load will flash 4 times to indicate a successful network reset.

## 8. Factory Reset

Press the reset button 9 times and a long press on the 10th press for 3 seconds to factory reset the dimmer.

# GUARANTEE

This product is guaranteed for a period of one year from the date of purchase. The guarantee is invalid in the case of tampering, improper use or installation not in accordance with the current edition of the I.E.E. Wiring Regulations (BS 7671). This product must not have been overloaded beyond its rating.